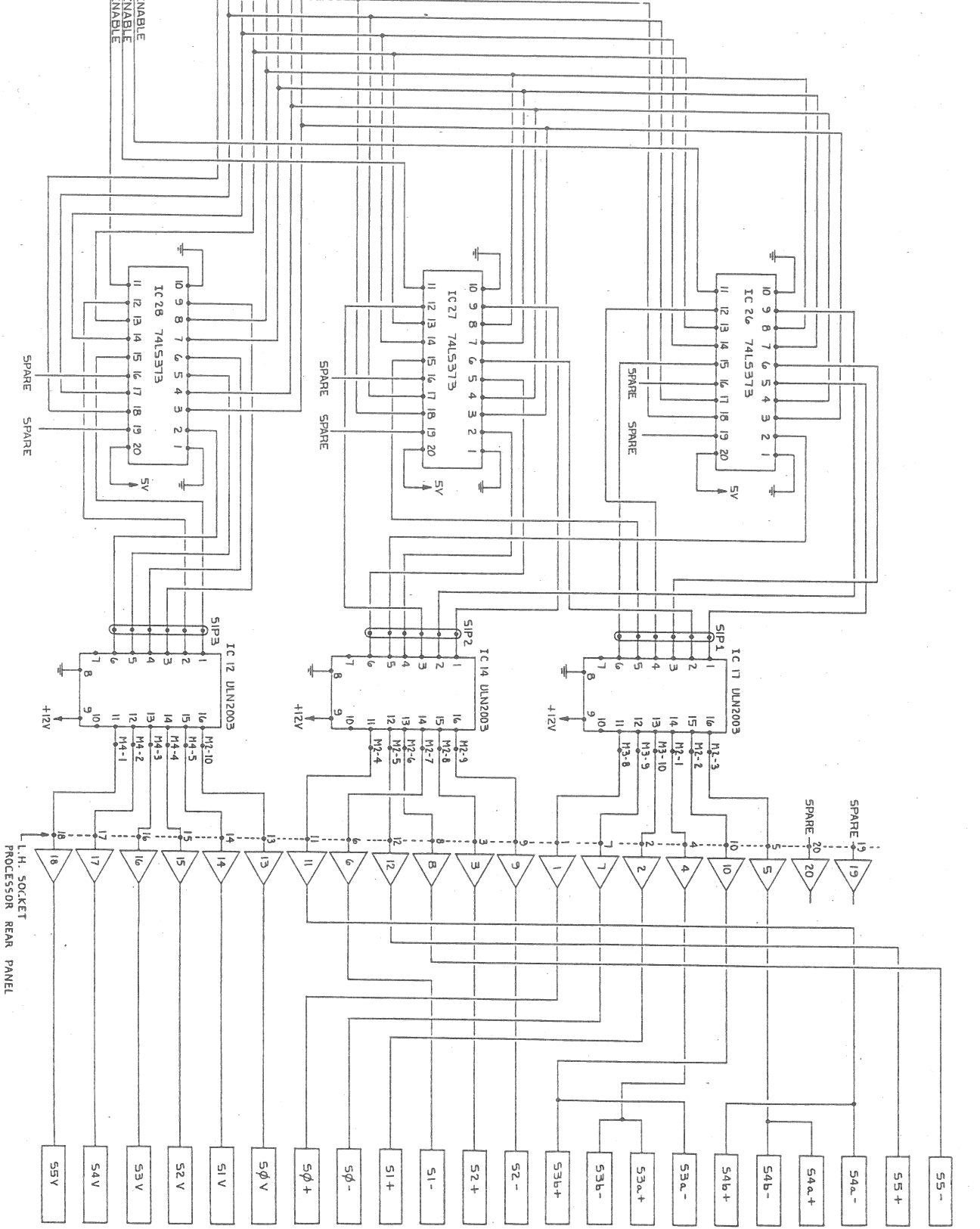


PIN	FUNCTION
1	+5V
2	+5V
3	+5V
4	0V
5	0V
6	0V
7	-9V
8	-9V
9	+12V
10	CKI

11	CA1
12	CA2
13	DA0
14	DA1
15	DA2
16	DA3
17	DA4
18	DA5
19	DA6
20	DA7

21	DB0
22	DB1
23	DB2
24	DB3
25	DB4
26	DB5
27	DB6
28	DB7
29	CB1
30	CB2



L.H. SOCKET
PROCESSOR REAR PANEL

RYBBON CABLE
CONNECTORS
INTERFACE BOARD